

Features:

- ❑ three-phase controlled digital-soft starter (7,5-800kW)
- ❑ integrated Bypass up to 110kW (up to 500kW by mid year '10)
- ❑ current and torque reduction during acceleration
- ❑ Comprehensive and customizable motor protection
- ❑ DC Braking - Contactless
- ❑ Display graphical LCD - Real time graphs of motor operating performance
- ❑ Inside Delta (6-wire) connection
- ❑ degree of protection: IP20 (up to 100A), IP00 (from 140A up)
- ❑ motor PTC connection



Soft Starters
AC-VS i III ...-23 ... 220



Function:

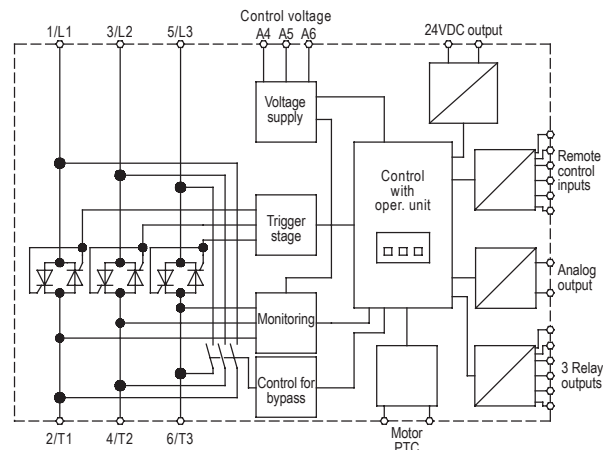
- ❑ Emergency run
- ❑ Forward or reverse jog direction.
- ❑ Remote control inputs (3x fixed, 1x programmable)
- ❑ Relay outputs (3x programmable)
- ❑ 24VDC output
- ❑ Analog output
- ❑ divers Soft Start/Stop control types
- ❑ units with 690V upon request

Typical Applications:

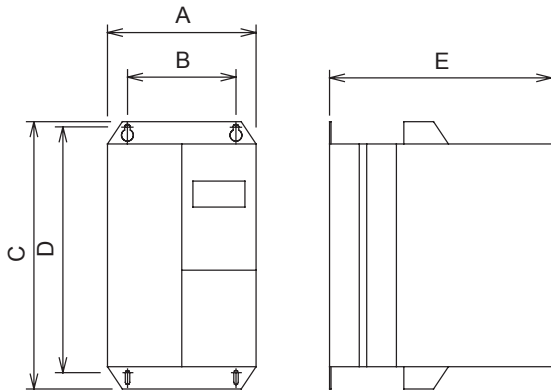
pumps, ventilators
compressors
mills, crushers, presses,
conveying systems
drives with high-inertia starting
machines with gear units, belt or chain drives

Accessories:

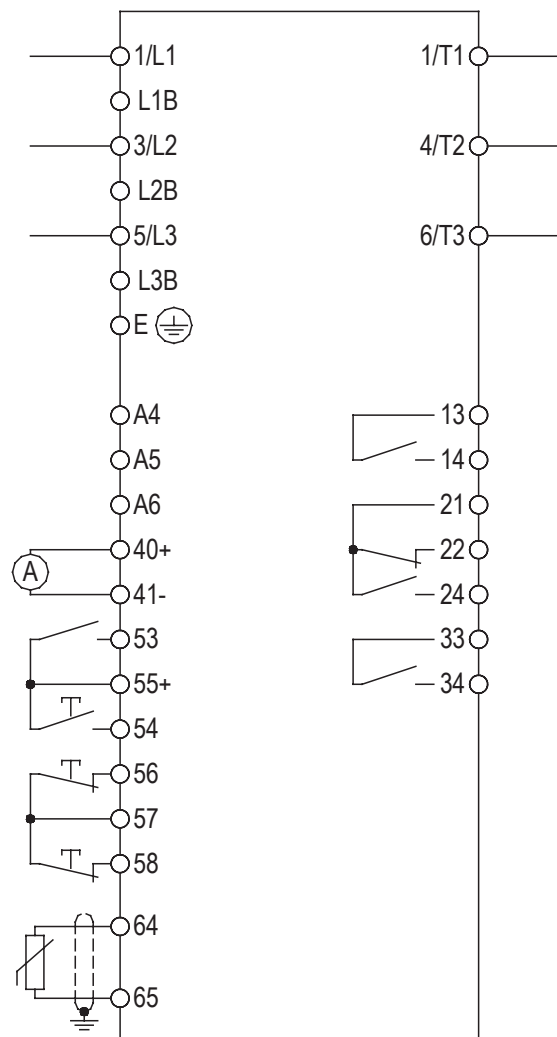
- ❑ Control Software
- ❑ DeviceNet module (29000.25903)
- ❑ Modbus module (29000.25904)
- ❑ Profibus module (29000.25905)
- ❑ USB module (available from end of year 2010)
- ❑ Finger protection (from 145A up, 29000.25909)



Technical Data	AC-VS i III 525 -								
	23C1	43C1	53C1	76C1	105C1	145C1	170C1	220C1	
	23C2	43C2	53C2	76C2	105C2	145C2	170C2	220C2	
Mains voltage according to DIN EN 50160 (IEC 38)	200-525V 45-66Hz								
	AC-VS i III 690-								
	23C1	43C1	53C1	76C1	105C1	145C1	170C1	220C1	
	23C2	43C2	53C2	76C2	105C2	145C2	170C2	220C2	
Mains voltage according to DIN EN 50160 (IEC 38)	380-690V 45-66Hz								
Rated device current in A	23A	43A	53A	76A	105A	145A	170A	220A	
Motor rating at 400V in kW	-7,5	-15	-22	-30	-55	-60	-75	-110	
I ² t-Value Power semiconductor in kA ² s	1,15	8	15	15	125	125	320	320	
Acceleration	Constant current, Current ramp, "Adaptive Acceleration Control", Torque Control								
Deceleration	Timed voltage ramp soft Stopp, Brake								
Switching frequency 3x Ie and 10s	AC53b 3.0 - 10:350 10/h			AC53b 3.0 - 10:590 10/h					
Techn. parameter of relay outputs	10A/250VAC resistive; 5A/250VAC AC15								
Ambient temperature	-10°C...+40°C (+60°C Derating)								
Control voltage	C1: 110VAC; 220VAC; -15%/+10%; C2: 24VDC/24VAC ±20%								
Weight / kg	3,2		3,5		4,8		16		
Order number:									
525V/C1	2S000.50..*	023	043	053	076	105	145	170	220
525V/C2	2S001.50..*	023	043	053	076	105	145	170	220

Dimensions:

Model	A mm	B mm	C mm	D mm	E mm	Weight kg
AC-VS i III -23	156.5	124	294.5	278	192	3.2
AC-VS i III -43						
AC-VS i III -53					223	3.5
AC-VS i III -76						
AC-VS i III -105	282	250	438	380	250	16
AC-VS i III -145						
AC-VS i III -170						
AC-VS i III -220						

Connection Diagram:

Subject to change without notice.