

Features:

- ▣ two-phase controlled soft starter
- ▣ controlled by microcontroller
- ▣ optimized soft start
- ▣ connection in the motor delta winding (cost saving via smaller rating)
- ▣ current and torque reduction during acceleration
- ▣ easy mounting, for snap-mounting on 35mm standard rail
- ▣ integrated bypass relay
- ▣ parameterization by means of three potentiometers
- ▣ no additional control voltage required
- ▣ no mains neutral conductor (N) required
- ▣ economically priced substitute for star-delta starters
- ▣ plug-in power terminals
- ▣ control outputs with spring-loaded terminals
- ▣ compact design, 45mm up to 32A and 52.5mm at 45A
- ▣ degree of protection IP20



Soft Starters
AC-VS II ...-17...45



Function:

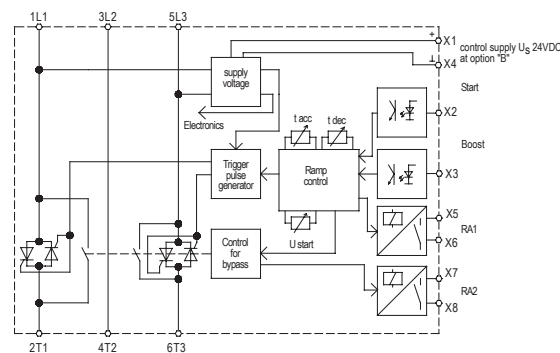
- ▣ soft acceleration and deceleration
- ▣ potential-free control input for soft acceleration and deceleration
- ▣ 3 separately adjustable parameters accel. time, start voltage, decel. time
- ▣ boost-start selectable
- ▣ potential-free relay output for operating state – unit bypassed – and failure

Typical Applications:

- door and gate drives
- pumps, ventilators, fans
- conveying systems
- packaging machines
- transport systems, assembly lines
- machine applications

Options (upon request)

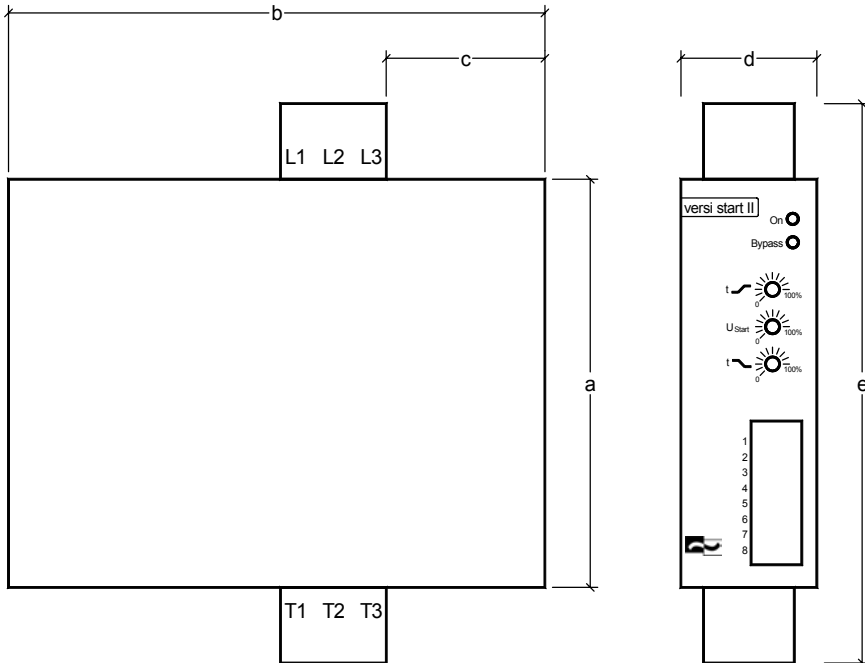
- ▣ special voltages 230V and 480V
- ▣ wide voltage range 400-600V with external control supply voltage U_s 24VDC (B)
- ▣ signaling contact (M) beginning of acceleration until end of deceleration



Technical Data (standard)	AC-VS II 400-17	AC-VS II 400-25	AC-VS II 400-32	AC-VS II 400-45
Mains / Motor voltage according to DIN EN 50160 (IEC 38)	400V ±10% 50/60Hz			
Rated device current	17A	25A	32A	45A
Motor rating at 400V mains voltage	7,5kW	11kW	15kW	22kW
max. Power dissipation - in operation	29,5W	29,5W	28,5W	27W
- in standby	7,5W	7,5W	7,5W	7,5W
min. motor current	20% of the device rated current			
Acceleration time	0,5 ... 10s			
Start voltage	40 ... 80%			
Deceleration time	0,5 ... 10s			
Restart time	200ms			
max. Switching frequency at 3x I _e , 10s t _{an}	60/h	45/h	35/h	10/h
Cross-sectional area: Control terminals	1,5mm ²		1,5mm ²	
Power terminals	6mm ²		16mm ²	
I ² t - Power semiconductor	4900A ² s	4900A ² s	6050A ² s	6600A ² s
Tightening torque	1,2-1,5 Nm 11-13 lbs in			1,5-1,7 Nm 13-15 lbs in
Input resistance Control inputs	10kΩ			
Switching rating of relay output RA1/RA2	3A/250VAC; 3A/30VDC			
Overvoltage category / Pollution degree	III (TT / TN systems) / 2			
Installation class	3			
Surge strength	4kV			
Ambient / Storage temperature	0°C ... 45°C up to an altitude of 1000m / -25°C ... 70°C			
Weight / kg	1			
Special voltages (optional)	230V / 480V / wide voltage range 400-600V with external control supply voltage U_s 24VDC±10%/150mA			
Order number	25700.40017	25700.40025	25700.40032	25700.40045

Please observe supplementary sheet with dimensioning rules.

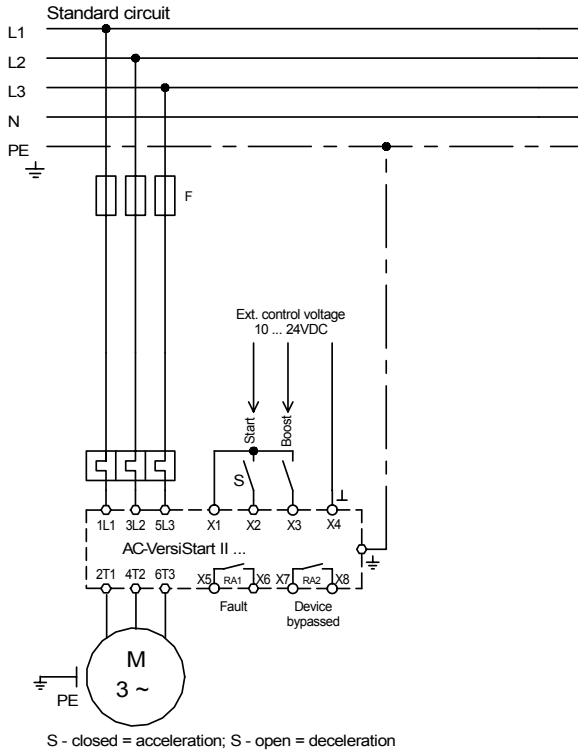
Dimensions:



Mounting dimensions	a	b	c	d	e
AC-VS II ...- 17...32	125	158	53	45	173
AC-VS II ...- 45	125	158	53	52.5	178

All dimensions indicated in mm.

Connection Diagram:



EMC

The limit values for emitted interference according to the applicable device standards do not rule out the possibility that receivers and susceptible electronic devices within a radius of 10m are subjected to interference.

If such interference, which is definitely attributable to the operation of the soft starters "AC-VersiStart II ...", occurs, the emitted interference can be reduced by taking appropriate measures.

Such measures are, e.g.:

- To connect reactors (3mH) or a suitable mains filter in series before the soft starter,
- or to connect X-capacitors (0.15µF) in parallel to the supply voltage terminals.

Subject to change without notice.

